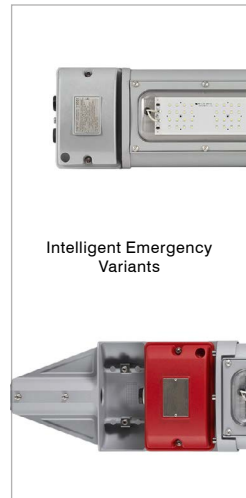


SPARTAN LED Zone 2/22 SPZ Linear Spigot Luminaire



Ultra-Powerful

SPARTAN Linear delivers industry-leading power and performance with an efficacy of up to 147 lumens per watt on standard variants.



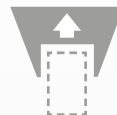
Modular Design

Key components such as the LED and PSU modules are easily accessible for straightforward maintenance and inspection.



Intelligent Emergency

Self-testing emergency battery providing up to 3 hours emergency back-up.



Integrated Spigot

The integrated spigot bracket is designed to fit poles up to 42mm in diameter and is fully shrouded for environmental protection.

5 YEAR WARRANTY

All Raytec luminaires are provided with an industry leading 5 year warranty and have an expected useful life in excess of 10 years. See Warranty Statement for details.



Technical Specifications

Certification

ATEX Rating	ATEX UKEX and IEC Ex rated for Gas and Dust
Hazardous Area Rating	Zone 2 (Gas), Zone 22 (Dust) (Zone 21 Version also available : Zone 2 (Gas) Zone 21/22 (Dust))
Certificates	Zone 2/22 version: CML15ATEX4138 & IEC Ex CML15.0068 & CML21UKEX4104 (Zone 21 version: CML16ATEX1130 & IEC Ex CML16.0052 & CML21UKEX1100)
Gas	Gas: II 3 G D Ex ec mc IIC T4 Gc Ta= -40°C to +60°C (-20°C to +50°C for emergency variants) (T6 variants also available - contact Raytec)
Dust	Ex tc IIIC T80°C Dc Ta= -40°C to +60°C (-20°C to +50°C for emergency variants)
Dust (Zone 21 version)	II 2 D Ex tb IIIC T80°C Db Ta= -40°C to +60°C (-20°C to +50°C for emergency variants)
ABS Certificate #	ABS Certificate # 20-1990083-PDA

Electrical

	WL84	WL84 Emergency	WL84 High Output
Input	Standard: 110-254V AC 50/60Hz 110-254V DC * Low voltage version: 18-48V AC and 18-69V DC Extra low voltage version: 12V AC/DC	110-254V 50/60Hz AC only	110-254V AC 50/60Hz 110-254V DC
Power	24W	32W	48W
Termination	Incoming terminal block suitable for 4 core 4mm ² cable (6mm ² available - POA)		
Power Factor	>0.95	>0.95	>0.95
Cable Entries	1xM20 cable entry as standard (other entries available upon request), dispatched complete with an ATEX/IEC Ex approved blanking plug		

* T6 variants are AC only

Optical

	WL84	WL84 Emergency	WL84 High Output
Lumen output on mains	3524	3524	7048
LED type	Platinum Elite SMT LEDs	Platinum Elite SMT LEDs	Platinum Elite SMT LEDs
Number of LEDs	80	80	80
CRI	80+	80+	80+
Colour Temperature	6500K standard	6500K standard	6500K standard

Mechanical

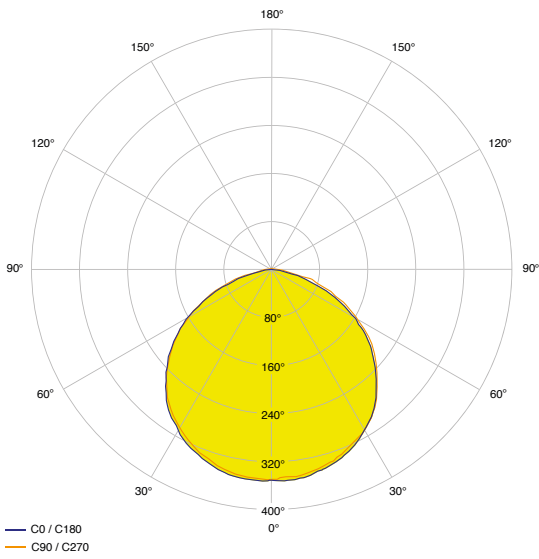
	WL84	WL84 Emergency	WL84 High Output
Burning Position	Universal	Universal	Universal
IP Rating	IP66 & IP67	IP66 & IP67	IP66 & IP67
IK Rating	IK10	IK10	IK10
Temperature Range	-40°C to +60°C	-20°C to + 50°C	-40°C to +60°C
Weight	6kg (13.2lbs)	7kg (15.4lbs)	6kg (13.2lbs)

Technical Specifications

Mechanical	WL84	WL84 Emergency	WL84 High Output
Enclosure	Marine grade aluminium epoxy powder coated, UV stabilised polycarbonate, all external fasteners and brackets are marine grade stainless steel		
Unit Colour	Silver (RAL 9006)	Silver (RAL 9006) Red (RAL3024) - Emergency battery cover	Silver (RAL 9006)
Installation instructions	Please see document 0920-D-00042 at www.raytecltd.com		
Battery Care	Please see document 0010-D-00001 at www.raytecltd.com		
Dimensions	See dimensional sketches		
Mounting	Via 34-42mm spigot entry. Grub screws provided as standard		

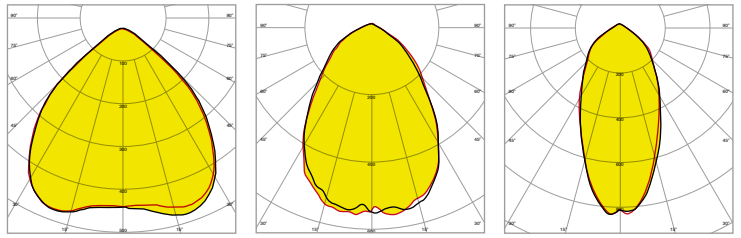
Intelligent Emergency	WL84 Emergency
Function	Self-testing intelligent emergency
System health indicator	Tri-colour LED indicator
Emergency Duration	Up to 3hrs @ 25% power Other options available
Emergency Battery	Ni/Cd 12V
Emergency Charge Time	20 hours

Light Distribution



Zone 2 - Standard

Symmetrical Optics

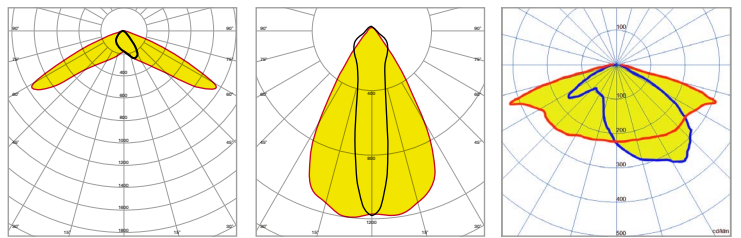


90x90

60x60

30x30

Asymmetrical Optics



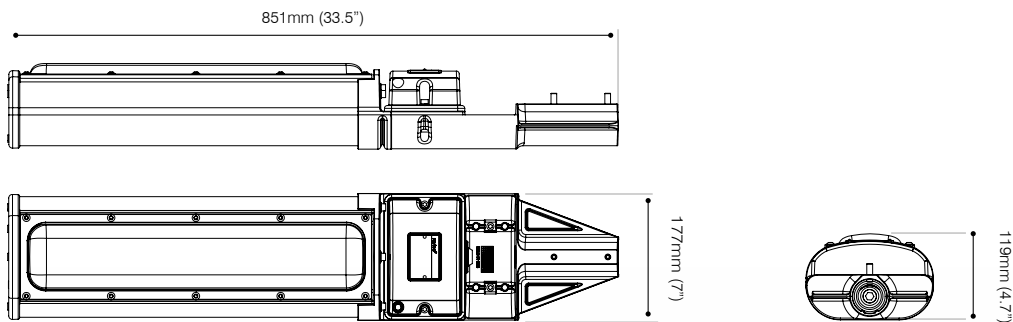
Safety Shower -
Wide Beam

Aisle -
80x30

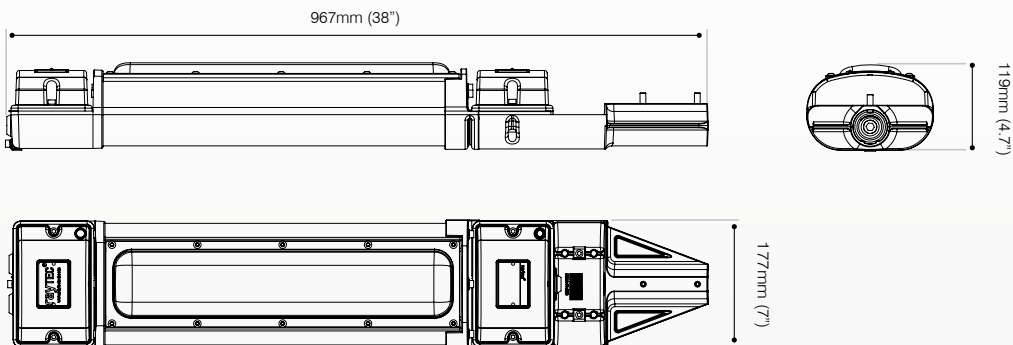
PP3
Optic

Product Dimensions

WL84, WL84 High Output



WL84 Emergency



Part Code Builder

SPARTAN Linear Spigot Zone 2 Family

Standard: Example - SPZ-WL84-EMX25-SP

Family	Model	Emergency	Mounting	Variant	CCT	Power	Optics	Entry
SPZ	WL84	NOT STATED - non-emergency	SP - Spigot	NOT STATED - T4 variant	NOT STATED - 6500K	NOT STATED- 110-254V AC	NOT STATED - standard	NOT STATED - M20 entry
		EMX25 - 25% for 3 hours		T6 - T6 variant	4K - 4000K	LV - low voltage non-EM only)	Other optics available - contact Raytec	M25 - M25 entry

High Output: Example - SPZ-WL84-HO-SP

Family	Model	Mounting	Variant	CCT	Power	Optics	Entry
SPZ	WL84-HO	SP - Spigot	NOT STATED - T4 variant	NOT STATED - 6500K	NOT STATED- 110-254V AC	NOT STATED - standard	NOT STATED - M20 entry
				4K - 4000K		Other optics available - contact Raytec	M25 - M25 entry

SPARTAN Linear Specials



Safety Shower Variants

- Green LED technology designed for use where safety shower units are located.
- Dominant wavelength: 519nm
- Dedicated safety shower optic for maximum visibility

Example ordering code: SPZ-WL84-SP-G

Other options available, contact Raytec for full ordering information.



Wildlife-Friendly Variants

- Amber LED technology designed to protect wildlife in coastal locations or natures reserves.
- Dominant wavelength: 600nm

Example ordering code: SPZ-WL84-SP-4K-A

Other options available, contact Raytec for full ordering information



See SPARTAN Linear Mounting & Accessories Guide for full range of accessories