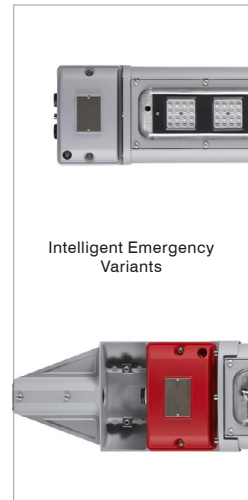


SPARTAN LED  
Zone 1/21 SPX Linear Spigot Luminaire



**Ultra-Powerful**

SPARTAN Linear delivers industry-leading power and performance with an efficacy of up to 128 lumens per watt on standard variants.



**Modular Design**

Key components such as the LED and PSU modules are easily accessible for straightforward maintenance and inspection.



**Intelligent Emergency**

Self-testing emergency battery providing up to 3 hours emergency back-up.



**Integrated Spigot**

The integrated spigot bracket is designed to fit poles up to 42mm in diameter and is fully shrouded for environmental protection.

**5 YEAR WARRANTY**

All Raytec luminaires are provided with an industry leading 5 year warranty and have an expected useful life in excess of 10 years. See Warranty Statement for details.



# Technical Specifications

## Certification

|                       |   |
|-----------------------|---|
| ATEX Rating           | ATEX UKEX and IEC Ex rated for Gas and Dust   |
| Hazardous Area Rating | Zone 1 (Gas), Zone 21(Dust)   |
| Certificates          | CML14ATEX3119 & IECExCML15.0001 & CML21UKEX3105   |
| Gas                   | II 2 G D<br>Ex eb mb IIC T4 Gb<br>Ta= -40°C to +60°C<br>(-20°C to +50°C for emergency variants) |
| Dust                  | Ex tb IIIC T80°C Db<br>Ta= -40°C to +60°C<br>(-20°C to +50°C for emergency variants)            |
| ABS Certificate #     | ABS Certificate # 20-1990083-PDA  |

## Electrical

|               | WL84   | WL84 Emergency           | WL84 High Output                   |
|---------------|--|--------------------------|------------------------------------|
| Input         | Standard: 110-254V AC 50/60Hz<br>110-254V DC *<br>Low voltage version: 18-48V AC and 18-69V DC<br>Extra low voltage version: 12V AC/DC | 110-254V 50/60Hz AC only | 110-254V AC 50/60Hz<br>110-254V DC |
| Power         | 24W  | 32W                      | 48W                                |
| Termination   | Incoming terminal block suitable for 4 core 4mm <sup>2</sup> cable (6mm <sup>2</sup> available - POA)                                  |                          |                                    |
| Power Factor  | >0.95  | >0.95                    | >0.95                              |
| Cable Entries | 1xM20 cable entry as standard (other entries available upon request), dispatched complete with an ATEX/IEC Ex approved blanking plug   |                          |                                    |

\* T6 variants are AC only

## Optical

|                       | WL84                    | WL84 Emergency          | WL84 High Output        |
|-----------------------|-------------------------|-------------------------|-------------------------|
| Lumen output on mains | 3065                    | 3065                    | 6130                    |
| LED type              | Platinum Elite SMT LEDs | Platinum Elite SMT LEDs | Platinum Elite SMT LEDs |
| Number of LEDs        | 80                      | 80                      | 80                      |
| CRI                   | 80+                     | 80+                     | 80+                     |
| Colour Temperature    | 6500K standard          | 6500K standard          | 6500K standard          |

## Mechanical

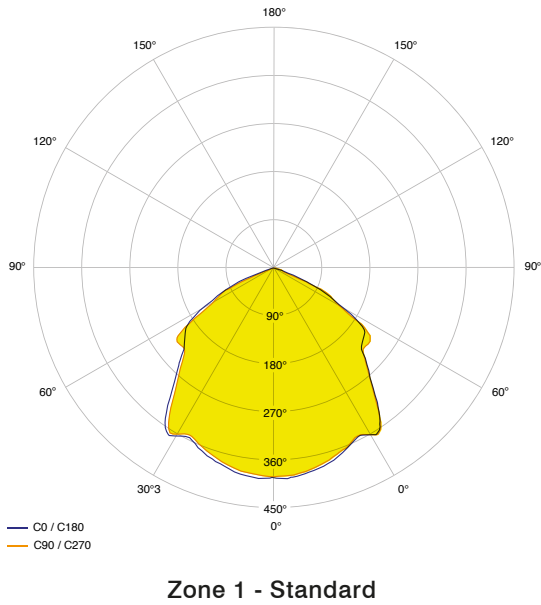
|                   | WL84           | WL84 Emergency  | WL84 High Output |
|-------------------|----------------|-----------------|------------------|
| Burning Position  | Universal      | Universal       | Universal        |
| IP Rating         | IP66 & IP67    | IP66 & IP67     | IP66 & IP67      |
| IK Rating         | IK10           | IK10            | IK10             |
| Temperature Range | -40°C to +60°C | -20°C to + 50°C | -40°C to +60°C   |
| Weight            | 6kg (13.2lbs)  | 7kg (15.4lbs)   | 6kg (13.2lbs)    |

# Technical Specifications

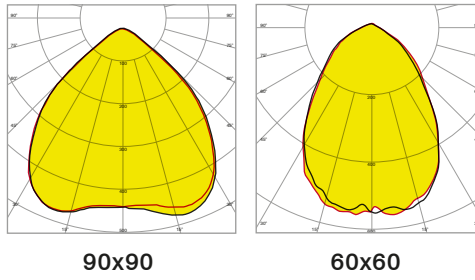
| Mechanical                | WL84  | WL84 Emergency   | WL84 High Output  |
|---------------------------|---|--|-------------------|
| Enclosure                 | Marine grade aluminium epoxy powder coated, UV stabilised polycarbonate, all external fasteners and brackets are marine grade stainless steel |  |                   |
| Unit Colour               | Silver (RAL 9006)   | Silver (RAL 9006)<br>Red (RAL3024) - Emergency battery cover | Silver (RAL 9006) |
| Installation instructions | Please see document 0920-D-00042 at <a href="http://www.raytecltd.com">www.raytecltd.com</a>  |  |                   |
| Battery Care              | Please see document 0010-D-00001 at <a href="http://www.raytecltd.com">www.raytecltd.com</a>  |  |                   |
| Dimensions                | See dimensional sketches  |  |                   |
| Mounting                  | Via 34-42mm spigot entry. Grub screws provided as standard  |  |                   |

| Intelligent Emergency   | WL84 Emergency                                    |
|-------------------------|---|
| Function                | Self-testing intelligent emergency                |
| System health indicator | Tri-colour LED indicator                          |
| Emergency Duration      | Up to 3hrs @ 25% power<br>Other options available |
| Emergency Battery       | Ni/Cd 12V   |
| Emergency Charge Time   | 20 hours  |

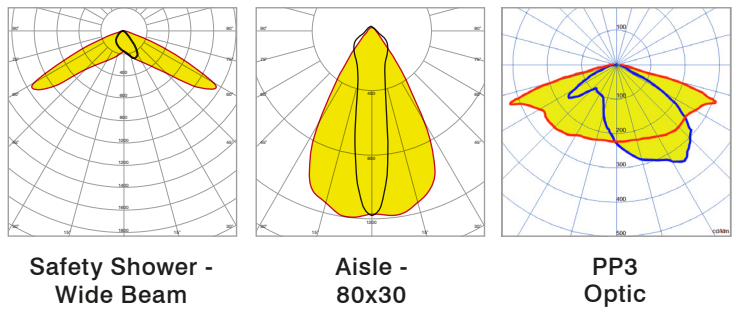
# Light Distribution



## Symmetrical Optics

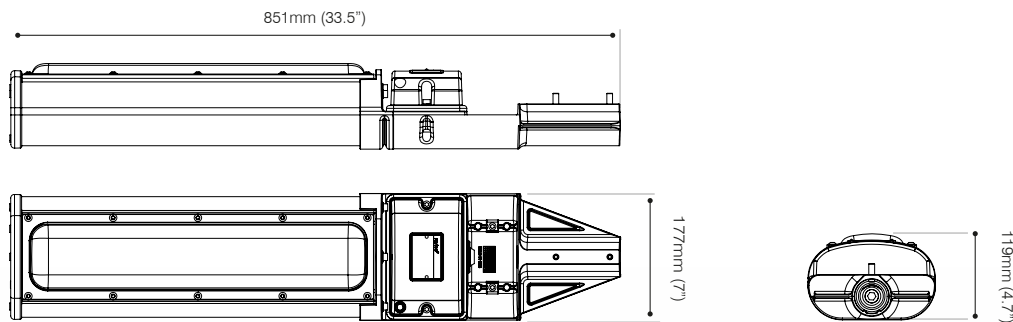


## Asymmetrical Optics

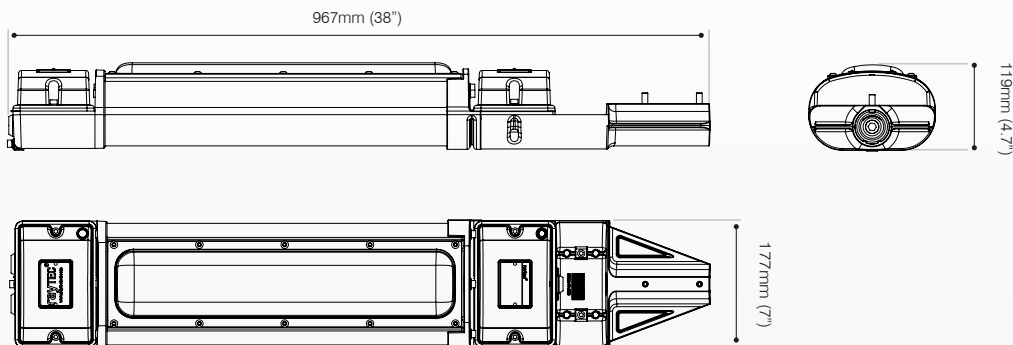


# Product Dimensions

## WL84, WL84 High Output



## WL84 Emergency



## Part Code Builder

### SPARTAN Linear Spigot Zone 1 Family

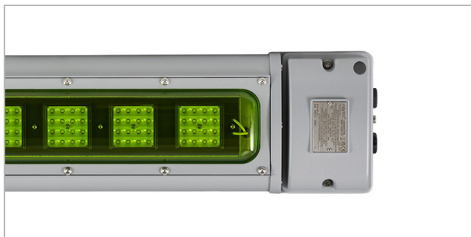
**Standard:** Example - SPX-WL84-EMX25-SP

| Family | Model | Emergency                  | Mounting    | Variant                 | CCT                | Power                         | Optics                                  | Entry                  |
|--------|-------|----------------------------|-------------|-------------------------|--------------------|-------------------------------|---|------------------------|
| SPX    | WL84  | NOT STATED - non-emergency | SP - Spigot | NOT STATED - T4 variant | NOT STATED - 6500K | NOT STATED- 110-254V AC       | NOT STATED - standard                   | NOT STATED - M20 entry |
|        |       | EMX25 - 25% for 3 hours    |             | T6 - T6 variant         | 4K - 4000K         | LV - low voltage non-EM only) | Other optics available - contact Raytec | M25 - M25 entry        |

**High Output:** Example - SPX-WL84-HO-SP

| Family | Model   | Mounting    | Variant                 | CCT                | Power                   | Optics                                  | Entry                  |
|--------|---------|-------------|-------------------------|--------------------|-------------------------|---|------------------------|
| SPX    | WL84-HO | SP - Spigot | NOT STATED - T4 variant | NOT STATED - 6500K | NOT STATED- 110-254V AC | NOT STATED - standard                   | NOT STATED - M20 entry |
|        |         |             |                         | 4K - 4000K         |                         | Other optics available - contact Raytec | M25 - M25 entry        |

## SPARTAN Linear Specials



### Safety Shower Variants

- Green LED technology designed for use where safety shower units are located.
- Dominant wavelength: 519nm
- Dedicated safety shower optic for maximum visibility

Example ordering code: SPX-WL84-SP-G

Other options available, contact Raytec for full ordering information.



### Wildlife-Friendly Variants

- Amber LED technology designed to protect wildlife in coastal locations or natures reserves.
- Dominant wavelength: 600nm

Example ordering code: SPX-WL84-SP-4K-A

Other options available, contact Raytec for full ordering information



See SPARTAN Linear Mounting & Accessories Guide for full range of accessories