

- Versatile Ex e terminal boxes in various sizes and heights, degree of protection IP66
- Can be equipped as per customer requirements
- Enclosure with captive cover screws, flanges can be fitted on enclosure sides if required

MY R. STAHL 8146A



R. STAHL Series 8146 terminal boxes, made of high-quality, glass fibre reinforced polyester resin, are ideal for use in harsh ambient conditions. With eight basic sizes in various heights, they are universally usable. If requested by the customer, they are equipped with terminal blocks up to 300 mm² and, as an option, a flange can be put on several enclosure sides.

	IECEX / ATEX					
Zone	0	1	2	20	21	22
Installation in		•	•		•	•

Selection Table								
Product description		Ex e terminal box						
Figure	Product Type	Terminal	Terminal rail	Earth rail	Max. no. of 2.5 mm ² terminals	Max. no. of 4 mm ² terminals	Art. No.	Weight
	8146/1031	1 x Phoenix UT 2-conductor, 2.5 mm ² , grey 2 x Phoenix UT PE 2-conductor, 2.5 mm ² , green-yellow	35 x 90 mm (1x)	-	6	-	136603	640 g
	8146/1041	1 x Phoenix UT 2-conductor, 2.5 mm ² , grey 2 x Phoenix UT PE 2-conductor, 2.5 mm ² , green-yellow	35 x 133 mm (1x)	-	19	-	136665	730 g
		1 x Phoenix UT 2-conductor, 4 mm ² , grey 2 x Phoenix UT PE 2-conductor, 4 mm ² , green-yellow	35 x 133 mm (1x)	-	-	16	136667	1 kg
	8146/1051	1 x Phoenix UT 2-conductor, 2.5 mm ² , grey	35 x 133 mm (1x)	7 x 4 mm ² (1x)	19	-	136688	1.06 kg
		1 x Phoenix UT 2-conductor, 4 mm ² , grey	35 x 133 mm (1x)	7 x 4 mm ² (1x)	-	16	136690	1 kg

Selection Table

Product description		Ex e terminal box						
Figure	Product Type	Terminal	Terminal rail	Earth rail	Max. no. of 2.5 mm ² terminals	Max. no. of 4 mm ² terminals	Art. No.	Weight
	8146/1061	1 x Phoenix UT 2-conductor, 2.5 mm ² , grey	35 x 189 mm (1x)	7 x 4 mm ² (1x)	27	–	136714	1.4 kg
		1 x Phoenix UT 2-conductor, 4 mm ² , grey	35 x 189 mm (1x)	7 x 4 mm ² (1x)	–	23	136716	1.35 kg
		1 x WAGO 2002 3-conductor, 2.5 mm ² , grey	35 x 189 mm (1x)	7 x 4 mm ² (1x)	27	–	203087	1.4 kg
	8146/1S71	1 x Phoenix UT 2-conductor, 2.5 mm ² , grey	35 x 301 mm (1x)	7 x 4 mm ² (1x)	49	–	136738	2.01 kg
		1 x Phoenix UT 2-conductor, 4 mm ² , grey	35 x 301 mm (1x)	7 x 4 mm ² (1x)	–	41	136740	2 kg
	8146/1081	1 x Phoenix UT 2-conductor, 2.5 mm ² , grey	35 x 301 mm (1x)	18 x 4 mm ² (1x)	52	–	136800	3.4 kg
		1 x Phoenix UT 2-conductor, 4 mm ² , grey	35 x 301 mm (1x)	18 x 4 mm ² (1x)	–	43	136802	3.37 kg
	8146/1081	1 x Phoenix UT 2-conductor, 2.5 mm ² , grey	35 x 301 mm (2x)	18 x 4 mm ² (1x)	98	–	136804	3.81 kg
	8146/1081	1 x Phoenix UT 2-conductor, 2.5 mm ² , grey	35 x 301 mm (3x)	18 x 4 mm ² (1x)	147	–	136808	4.2 kg
	8146/1093	1 x Phoenix UT 2-conductor, 2.5 mm ² , grey	35 x 637 mm (1x)	18 x 4 mm ² (2x)	104	–	136898	7.1 kg
	8146/1093	1 x Phoenix UT 2-conductor, 2.5 mm ² , grey	35 x 637 mm (2x)	18 x 4 mm ² (2x)	196	–	136900	7.3 kg

The max. number of terminals refers to the max. number of terminals that can be installed in the respective enclosure.

Technical Data
Explosion Protection

IECEX gas explosion protection	Ex eb IIC T6 ... T4 Gb
IECEX dust explosion protection	Ex tb IIIC T80 °C ... T130 °C Db
ATEX gas explosion protection	⊕ II 2 G Ex eb IIC T6 ... T4 Gb
ATEX dust explosion protection	⊕ II 2 D Ex tb IIIC T80 °C ... T130 °C Db
Certificates	ATEX (PTB), Brazil (ULB), Canada / USA (UL), Canada (UL), China (NEPSI), IECEX (PTB), India (PESO), Korea (KGS), Taiwan (ITRI), USA (UL)
Ship approval	DNV
Notes	Product label may vary. Series devices are labelled with ATEX and IECEX.

Electrical Data

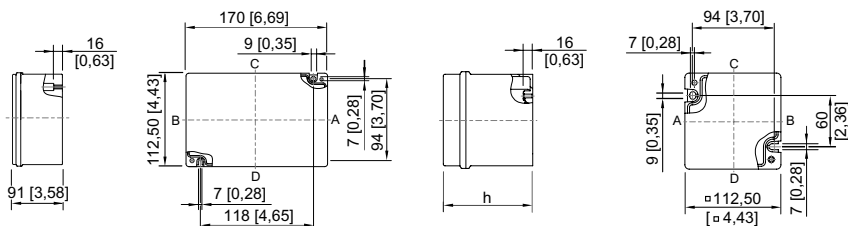
Rated operational voltage AC	0 ... 690 V
Notes	Max. rated operational voltage 1100 V AC/DC (depending on the terminal type and the explosion-protected components used)

Mechanical Data

Degree of protection IP (IEC 60529)	IP66
Enclosure material	Polyester resin, Glass fibre reinforced

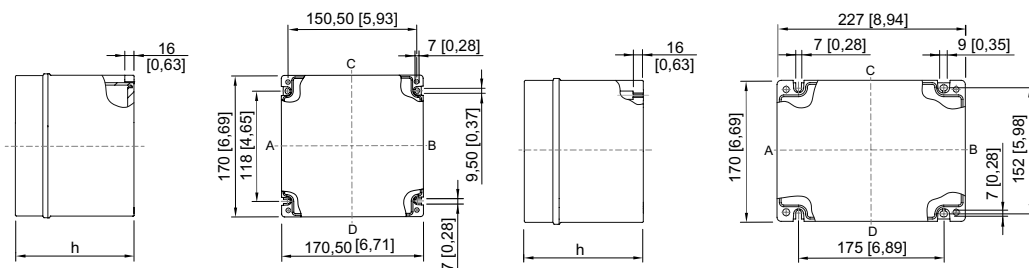
Technical Data	
Mechanical Data	
Flammability according to	IEC/EN 60695 UL 94 ASTM D635
Silicone-free	No
Components	
Notes	Please observe the data of the terminal manufacturer, e.g. the tightening torque

Spare Parts		Art. No.	Weight
2 mm brass plate for enclosure			
	For 8146/.051, 8146/.052 (enclosure sides A/B) 8146/.S71 (enclosure sides A/B)	136914	50 g
	For 8146/.071, 8146/.072 (enclosure sides C/D) 8146/.081, 8146/.082 (enclosure sides A/B) 8146/.091, 8146/.092 (enclosure sides C1/D1)	136927	140 g
	For 8146/.S73 (enclosure sides C/D) 8146/.083 (enclosure sides C/D) 8146/.093 (enclosure sides A/B)	136979	310 g
2 mm brass plate for flanges			
	For flange size 1 (68 x 128 mm)	136888	40 g
	For flange size 2 (126 x 266 mm)	136960	440 g
3 mm brass plate for enclosure			
	For 8146/.031 (enclosure sides C/D) 8146/.041 (enclosure sides A/B)	136395	100 g
	For 8146/.041 (enclosure sides C/D)	136403	160 g
	For 8146/.051, 8146/.052 (enclosure sides A/B) 8146/.S71 (enclosure sides A/B)	136240	140 g
	For 8146/.071, 8146/.072 (enclosure sides C/D) 8146/.081, 8146/.082 (enclosure sides A/B) 8146/.091, 8146/.092 (enclosure sides C1/D1)	136313	400 g
	For 8146/.073 (enclosure sides C/D) 8146/.083 (enclosure sides A/B) 8146/.093 (enclosure sides C1/D1)	136621	810 g
	For 8146/.S71 (enclosure sides C/D) 8146/.081, 8146/.082 (enclosure sides C/D) 8146/.091, 8146/.092 (enclosure sides A/B)	136544	460 g
	For 8146/.S73 (enclosure sides C/D) 8146/.083 (enclosure sides C/D) 8146/.093 (enclosure sides A/B)	136626	880 g
	3 mm brass plate for flanges		
	For flange size 1 (68 x 128 mm)	136201	200 g
	For flange size 2 (126 x 266 mm)	136568	100 g
Flange			
	Size 1: 68 x 128 mm, 5.8 mm thick	136032	106 g



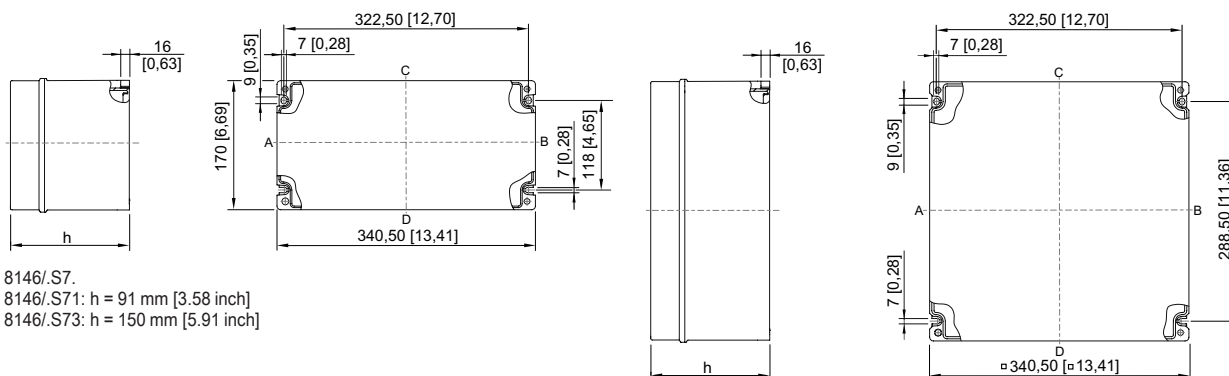
8146/.041

8146/.03.
8146/.031: h = 91 mm [3.58 inch]
8146/.037: h = 104 mm [4.09 inch]



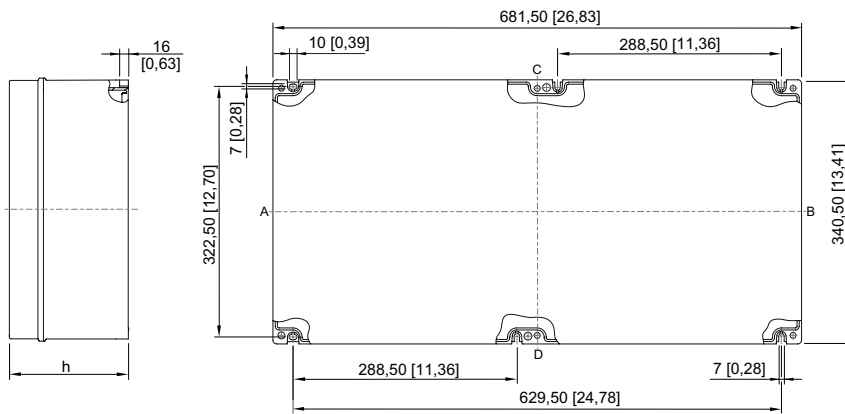
8146/.05.
8146/.051: h = 91 mm [3.58 inch]
8146/.052: h = 131 mm [5.16 inch]

8146/.06.
8146/.061: h = 91 mm [3.58 inch]
8146/.062: h = 131 mm [5.16 inch]



8146/.S7.
8146/.S71: h = 91 mm [3.58 inch]
8146/.S73: h = 150 mm [5.91 inch]

8146/.08.
8146/.081: h = 91 mm [3.58 inch]
8146/.082: h = 131 mm [5.16 inch]
8146/.083: h = 150 mm [5.91 inch]
8146/.084: h = 171 mm [6.73 inch]
8146/.085: h = 190 mm [7.48 inch]
8146/.086: h = 230 mm [9.06 inch]



- 8146/.09.
- 8146/.091: h = 91 mm [3.58 inch]
- 8146/.092: h = 131 mm [5.16 inch]
- 8146/.093: h = 150 mm [5.91 inch]
- 8146/.095: h = 190 mm [7.48 inch]