

SD 150 EX Sounder horn

SIL2 compliant as IEC 61508 & IEC 61511



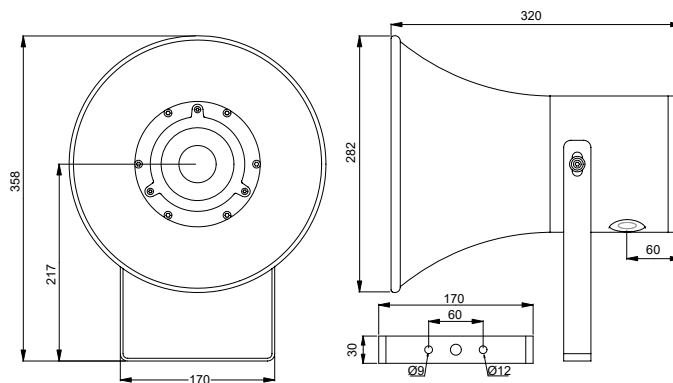
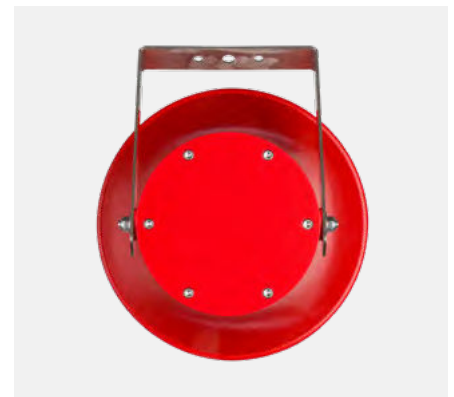
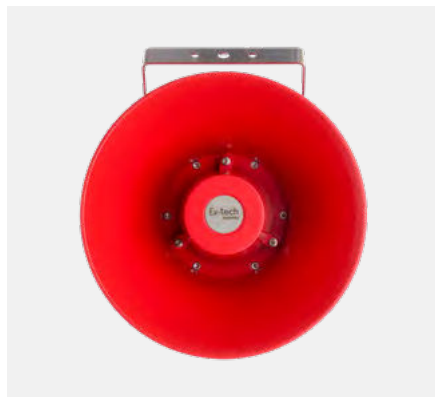
The flameproof SD150 sounder (horn) is ATEX / IECEx certified for use in potentially explosive atmospheres and provides loud warning sounds to signal alarms in tough hazardous area applications. It quickly alerts personnel to potential dangers, or signals the need for immediate action in emergency situations. It is constructed from GRP.

ATEX / IECEx Certification: ATEX Zone 1 and Zone 2 Certified for gas / vapour and Zone 21 and Zone 22 compliant for dust / powder applications. SIL2 compliant as IEC 61508 & IEC 61511.

Application: : Oil and gas, chemical, petrochemical, pharmaceutical, marine and offshore applications.

Key features: The explosion proof sounder (horn) can be set with up to three tones among 59 prerecorded tones (according to user control system). Pausing of the signal can be done by an external switch. Robust and highly reliable, the Ex sounder (horn) is designed for corrosive environments and hazardous areas. Housing is moulded in Glass-Reinforced Polyester (GRP), protected by a UV resistant paint. The mounting bracket is 316L Stainless steel.

Options: A range of accessories is available to customise this ATEX / IECEx sounder / horn. These include pipe mounting brackets, sunshades, tag and duty labels and other accessories.



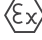
Phone: +44 (0)1752 333 933 | E-mail: sales@ex-techsignalling.com | Website: www.ex-techsignalling.com

Ex-tech Signalling Bell Close, Plympton, Devon, PL7 4JH, UK

Please note that whilst effort has been made to ensure the accuracy of this datasheet. Ex-tech Signalling will not assume liability for the use thereof. Ex-tech Signalling reserves the right to improve specifications without prior notice, please refer to our website for updated information or contact our local sales representative.

SD 150 EX Sounder horn

SIL2 compliant as IEC 61508 & IEC 61511

MATERIAL	• Enclosure: Glass-Reinforced Polyester (GRP) • Bracket: Stainless steel 316L
COLOUR	• RED : RAL3001/RAL3028 • YELLOW : RAL1018 • BLUE : RAL5005 • BLACK : RAL9005 • GREEN : RAL6032 • GREY : RAL7038 • ORANGE : RAL2010
INGRESS PROTECTION	• IP66/67
AMBIENT TEMPERATURE FOR OPERATION	• T6 = - 40°C ~ + 55°C , T5 = - 40°C ~ + 60°C, T4 = - 40°C ~ + 70°C
CERTIFICATION	• Nemko 13 ATEX 1562X, IECEX NEM 13.0032X
EX CODE	 • II 2 GD Ex d IIC T4 ~ T6 Gb • Ex tb IIIC T135°C ~T85°C
STANDARD	• EN / IEC 60079-0, EN / IEC 60079-1, EN / IEC 60079-31
ATEX AREA ZONE	• Gas zone: 1 & 2 Dust zone: 21 & 22
AMBIENT HUMIDITY*	• until 95%*
POWER SUPPLY	• 12-48V DC • 115-230V AC NOMINAL (100 - 240V AC Range)
RATED IMPULSE WITHSTAND VOLTAGE	• 1kV following IEC 61000-4-5
CONSUMPTION	• Adjustable from 5 to 25 W (factory setting 20W)
CURRENT CONSUMPTION	• 0.5 to 1 A
SIGNALLING TYPE	• 59 tones siren. Specific customer tones can be recorded in factory
NOISE LEVEL	• Until 115 dB at 1 m
CABLES ENTRY	• 2 x M20, 1 x M25 + 1 x M20, 1 x 1/2" NPT + 1 x M20, 1 x 3/4" NPT + 1 x M20
TERMINAL	• From 22 to 14 AWG - from 0.50 mm ² to 2.5 mm ²
NET WEIGHT	• 6.4 Kg



* = without runoff - ** = optional - cable gland and blind plug not provided

Phone: +44 (0)1752 333 933 | E-mail: sales@ex-techsignalling.com | Website: www.ex-techsignalling.com

Ex-tech Signalling Bell Close, Plympton, Devon, PL7 4JH, UK

Please note that whilst effort has been made to ensure the accuracy of this datasheet. Ex-tech Signalling will not assume liability for the use thereof. Ex-tech Signalling reserves the right to improve specifications without prior notice, please refer to our website for updated information or contact our local sales representative.

SD 150 EX Sounder horn

SIL2 compliant as IEC 61508 & IEC 61511



Product	Certification	Supply	Duty label	Tag label	Connection	Housing	Standard
SD	150	DC	N	Y	A	RD	N

SD	= SOUNDER
150	= HAZARDOUS AREA
151	= NON-CERTIFIED
DC	= 12 - 48V DC
AC	= 100 - 240V AC
Y	= YES (SEE LIST)
N	= NO

Y	= YES (SEE LIST)
N	= NO
A	= 2 x M20 x 1.5
B	= 1 x M25 x 1.5 (VIA ADAPTOR) + 1 x M20
C	= 1 x 1/2" NPT (VIA ADAPTOR) + 1 x M20
D	= 1 x 3/4" NPT (VIA ADAPTOR) + 1 x M20

Additional adaptors can be supplied as well as blanking plugs and cable glands, see below.

RD	●	= RED (STD)
YW	●	= YELLOW
BU	●	= BLUE
BL	●	= BLACK
GN	●	= GREEN
GY	●	= GREY
OJ	●	= ORANGE
OR	○	= OTHER

CONDUIT ACCESSORIES	
M20 316L St. St Exd conduit plug	SPARE3060009
M25 St. St. conduit adaptor	SPARE3060105
½" NPT St. St. conduit adaptor	SPARE3060108
¾" NPT St. St. conduit adaptor	SPARE3060107
St. St Exd cable gland 7-12mm	SPARE3060108
St. St Exd cable gland 10-16mm	SPARE3060109

CONDUIT ACCESSORIES	
M20 NPB Exd conduit plug	SPARE3060008
M25 NPB conduit adaptor	SPARE3060003
½" NPT NPB conduit adaptor	SPARE3060001
¾" NPT NPB conduit adaptor	SPARE3060002
NPB Exd cable gland 7-12mm	SPARE3060019
NPB Exd cable gland 10-16mm	SPARE3060018